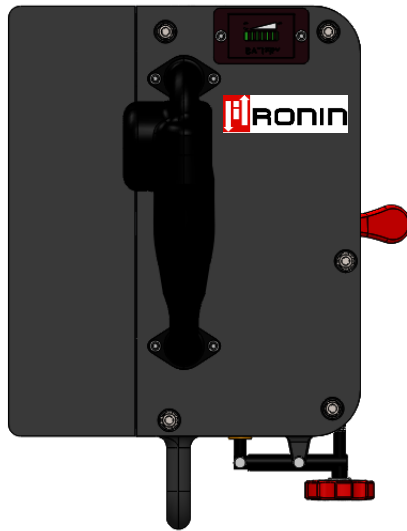




User Manual
For
Ronin Lift
Personal Ascender





WARNING:

To avoid electrical shock, do not open the Ronin Lift's front cover. Refer servicing to qualified personnel only.

Caution:

Modification of controls or adjustment or performance other than specified by procedures herein may results in injury or death.

You are cautioned that any changes or modifications not expressly approved by the party responsible for compliance could void the user's authority to operate the equipment.

If you have questions about this product, visit www.changeyourelevation.com or contact Ronin Customer Service at 714-833-1751 or send an email to Info@changeyourelevation.com .

Declaration of Conformity

Trade Name:	Ronin Lift
Model No.:	2805-11
Responsible Party:	Ronin
Telephone:	714-833-1751

This device complies with Part 15 of FCC Rules and Industry. Canada license-exempt RSS standard(s). Operation is subject to the following two conditions: (1) this device may not cause harmful interference, and (2) this device must accept any interference received, including interference that may cause undesired operation.



About Lithium Ion Battery

The lithium ion battery used to power this product contains Perchlorate. The following statement is required by the state of California, USA:

Perchlorate Material – special handling may apply. See <http://www.dtsc.ca.gov/hazardouswaste/perchlorate>



Contents

Warning	2
About Lithium Ion Battery	3
Precautions	5
Product Overview	8
Specifications	10
Box Contents	11
Charging Instructions	12
Rope Requirements	12
Operating Instructions	13
Loading Rope	13
Operating Ronin Lift	16
End of Life Recycling	19
Warranty	19



Precautions

Before using this product, carefully read this manual and retain it for future reference. Parents and guardians of children should read this manual and make sure that the child follows all safety precautions.

Safety

This product has been designed with the highest concern for safety. However, any electrical device, if used improperly, has the potential for causing fire, electrical shock or personal injury. To help ensure accident-free operation, follow these guidelines:

- Observe all warnings, precautions and instructions.
- Regularly inspect AC power cord for damage.
- Do not leave any charging battery unattended.
- Unplug charging battery immediately upon complete charge.
- Stop use, unplug AC power cord from electrical outlet immediately if the device functions in an abnormal manner, produces unusual sounds or smells, becomes too hot to touch, or battery becomes swollen/bloated.
- Do not handle damaged or leaking lithium-ion batteries.
- Do not allow the battery to come into contact with fire or subject to extreme temperatures such as direct sunlight, in a vehicle exposed to sun or near a heat source.

Prior to using Ronin Lift personal ascender please ensure you properly inspect all gear and accessories. To learn more about proper climbing safety precautions please visit the following websites:

<https://adrenalineromance.com/2013/04/11/rock-climbing-101-safety-checks-communication-and-proper-belaying-technique/>

<http://climbing.about.com/od/staysafeclimbing/tp/10ClimbingSafetyTips.htm>

<http://www.climbingtechniques.org/safety-checks-and-commands.html>

Knott Tying Reference:

<http://www.animatedknots.com/indexclimbing.php#ScrollPoint>



Use and Handling

- Do not use Ronin Lift without the proper safety equipment rated for climbing. Neglecting to do so may cause serious injury or death.
- Only use approved static rope with Ronin Lift personal ascender.
- Do not overheat the DC motor. If motor becomes hot to touch, discontinue use until motor has cooled down.
- Inspect all equipment prior to each use, including Ronin Lift, safety harness, carabineer clips, static rope, and helmet.
- Only use safety rated climbing carabineer clips with Ronin Lift.
- Do not submerge Ronin Lift in water. Ronin Lift is not waterproof.
- Be careful when carrying Ronin Lift. If you do not have a good grip, the device may drop causing potential damage to the device as well as personal injury.
- Do not stand on or put objects on the device.
- Keep the device, accessories, and any small components out of reach of small children.
- Stop using the device immediately if you begin to feel tired or if you experience discomfort or pain in your hands, arms or legs while operating the device.
- If you experience any of the following health problems, discontinue use of the device immediately. If symptoms persist, consult your doctor.
 - Dizziness, nausea, fatigue or symptoms similar to motion sickness
 - Discomfort or pain in a part of the body, such as hands, arms or legs
- Do not place device on the floor or in a place where it may cause someone to trip, stumble or fall.
- Do not expose the device to high temperatures or high humidity.
- Do not use device in an electrical storm.
- Do not touch connectors on device.
- Do not leave device on surfaces that are unstable, tilted or subject to vibration.
- Do not allow liquid, small particles or other foreign debris to enter the device.

Vents

Do not block any vents. To maintain proper ventilation follow the guidelines below:

- Do not cover motor ventilation holes
- Do not allow dust to build up on the motor vents
- Do not allow foreign debris to cover motor vents



NOTE: if dust and dirt build up on the motor vents, wipe with a clean dry cloth to ensure proper air flow to motor. Do not use chemicals or water to wipe.

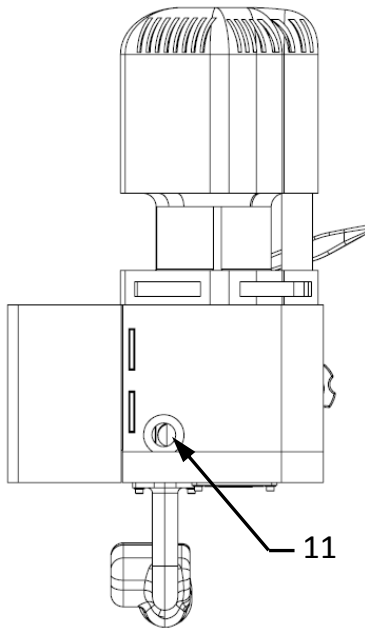
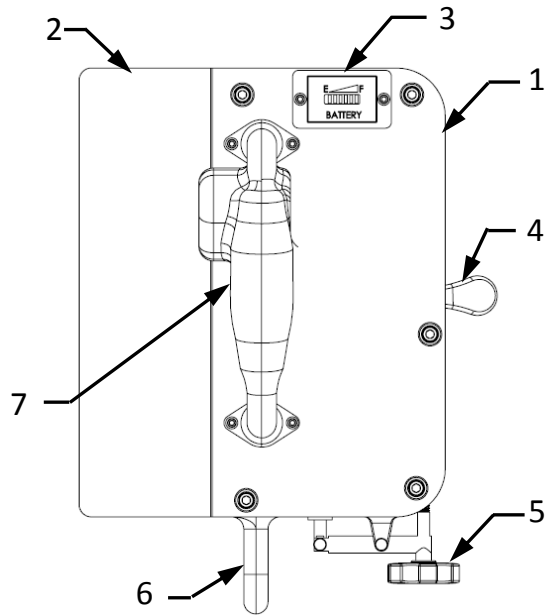
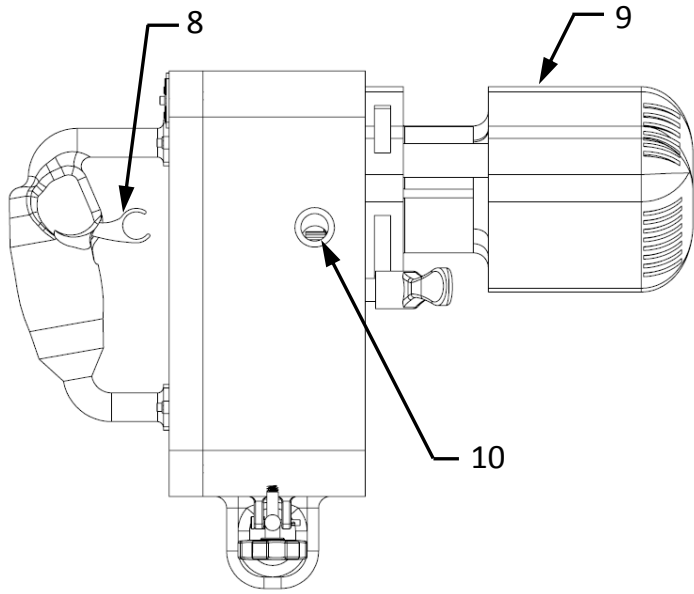
AC Power Cord Use

- Do not plug in AC power cord without verifying electrical outlet compatibility. Check AC power supply connected to AC power cord for power outlet compatibilities.
- To help ensure safe operation, regularly inspect the AC power cord. If damaged, stop use immediately and contact customer support.
- Do not modify the cord.
- Do not use a power cord other than the supplied AC power cord.
- Do not touch the AC power cord with wet hands.
- Protect the AC power cord from being walked on or pinched particularly at plugs, expansion receptacles and the point where the cord exits the power supply.
- Do not place heavy items on the AC power cord.
- Do not place the AC power cord near heating equipment and do not expose the cord to heat.
- Unplug the AC power cord from the electrical outlet when you do not intend to use the charger. When disconnecting, grasp the AC power cord by the plug and pull straight out of the electrical outlet. Never pull by the cord and do not pull out at an angle.
- Do not connect AC power cord to a voltage transformer or inverter.

Moisture Condensation

If the device is brought directly from a cold location to a warm one, moisture may condense either on the electronics or motor. Should this occur, the device may not operate properly. In this case, remove the battery until moisture evaporates from the device (this may take several hours). If the device still does not operate properly contact customer service.

Product Overview





Ronin Lift Personal Ascender

- 1 – Ronin Lift Personal Ascender
- 2 – Lithium Ion Rechargeable Battery
- 3 – Battery Indicator
- 4 – Brake/Rappel Handle
- 5 – Tensioner Adjust
- 6 – Carabineer Clip Attachment Point
- 7 – Handle
- 8 – Trigger Switch
- 9 – Motor/Gearbox
- 10 – Rope Exit Hole
- 11 – Rope Inlet Hole



Specification

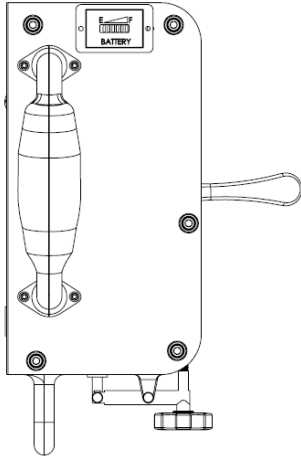
Ronin Lift

Motor	28 VDC 80 amp continuous 275° F (135° C) max operating Temp 4500 rpm 4 N-m continuous torque
Gearbox	16:1 reduction
Speed Controller	Pulse Width Modulation (PWM) 100 amp max 28 VDC
Potentiometer	10k ohm 60° rotation
Brake	Manual Operation Via Brake Handle
Rope Diameters	Ronin Static Rope 9mm or 10mm
Max Rated Power	2240 watts
Mass	Approx. 14.8 lbs.
Speed	Approx. 2.76 ft/sec
Operating Temp	32° F - 150° F (0° - 65.6°)

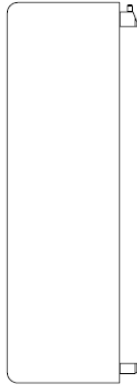
Battery

Type	Lithium-Ion
Voltage	28 VDC
Amperage	80 amps continuous
Battery Capacity	6 Ah
Operating Temperature	32° F - 150° F (0° - 65.6°)
Mass	Approx. 3.2 lbs.

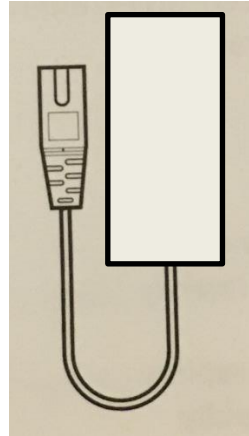
Box Contents



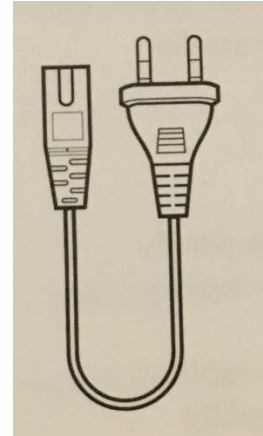
1



2



3



4

1: Ronin Lift Personal Ascender

2: Lithium-Ion Rechargeable Battery




3: AC Power Supply

4: AC Power Cord

Charging the battery

The battery takes approx. 3 hrs. to charge.

The charger LED codes are as follows:

-  Standby (Solid Green with no battery plugged in)
-  Charging (Solid Red when battery is charging)
-  Fully Charged (Solid Green with battery plugged in)

Battery Warnings

- To charge the battery, you must only use the included charger.
- Only use included AC power cord.
- If at any time the Lithium-Ion battery begins to balloon or swell, discontinue use immediately.
- Always terminate all processes if the battery/charger malfunctions.
- Do not over charge the battery.
- Store the Lithium-Ion battery at room temperature in a dry area for best results.
- Allow the Lithium-Ion Battery to cool to ambient/room temperature before recharging.
- Never charge the Lithium-Ion battery unattended at any time.

Rope Requirements

Ronin Lift operates best with Ronin Static Rope. However, other rock climbing rope can be used we recommend rope that meets UIAA standards. Failure to use Ronin Static Rope may result in premature wear of your rope of choice. The only approved rope sizes for use with the Ronin Lift are 9mm diameter or 10mm diameter sizes. Ronin ropes have special construction that can better handle the additional heat created when using a motorized ascender. The ropes are designed to withstand heat and abrasion for outstanding performance and longevity.

Rope Warnings

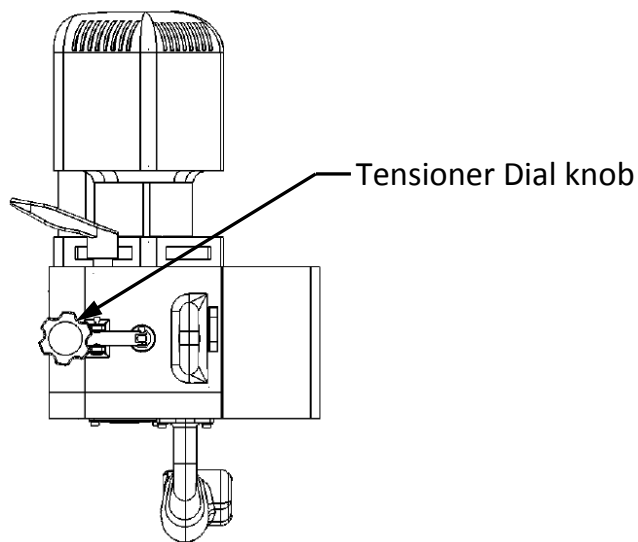
- Only used approved static line ropes with Ronin Lift
- Inspect rope prior to use, during use and after use for rope integrity
- Never use damaged or worn rope

Operating Instructions

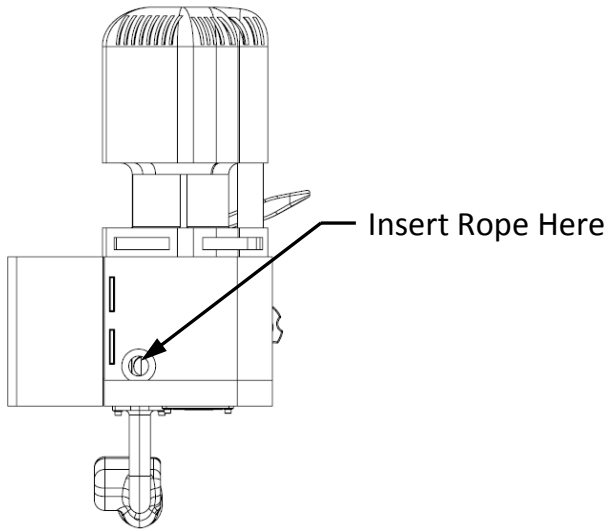
Loading Rope through automatic feed system

1. Rotate the tensioner dial knob in the clockwise direction until it bottoms out on the Ronin Lift ascender housing. This will relieve the tension allowing the first wrap to be started. Only rotate the knob until it stops.

Warning: Do not over rotate in the clockwise direction. This can dislodge the insert or strip the threads causing system malfunction. If this does occur the unit will need to be returned to an approved repair facility for repair.



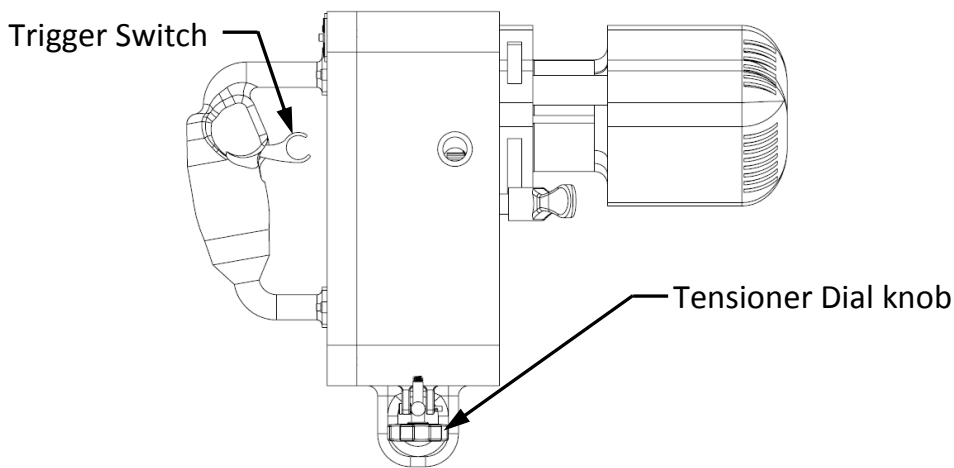
2. Insert approved Ronin Static Line Rope in 9mm or 10mm diameter through the rope inlet feed hole.



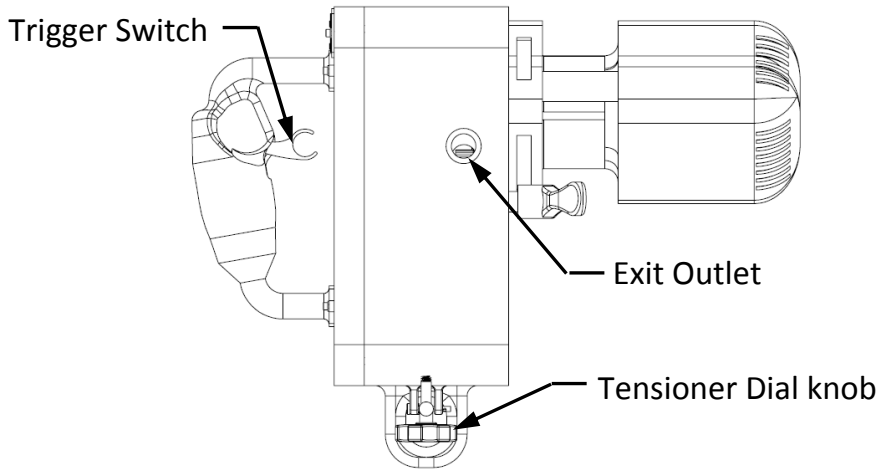
3. Push approved Ronin Static Line Rope in 9mm or 10mm diameter until it bottoms out and will not feed any further manually.
4. Rotate the tensioner dial knob in the counterclockwise direction. This will increase tension allowing the rope to be pulled through the system. **Note: As you are loading the rope, you will need to adjust the tensioner dial knob accordingly for optimal auto-feed.**

Warning: Do not over rotate in the counterclockwise direction. This can dislodge the retention mechanism causing system malfunction. If this does occur the unit will need to be returned to an approved repair facility for repair.

5. Slightly pull the trigger switch to activate motor. This will allow the rope to automatically be pulled through the system. Using the Tensioner Dial Knob adjust tension as necessary to feed rope through.

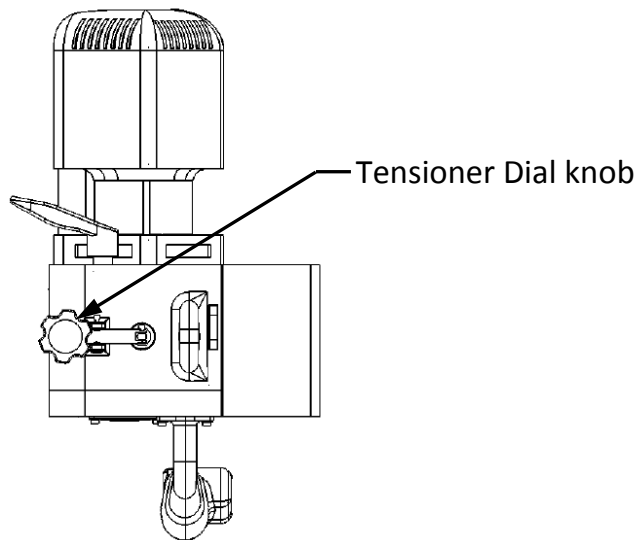


6. Once the rope has reached the exit outlet, hold down the brake/rappel handle to move the cinch out of the rope's path, removing any possible obstructions. Then pull the trigger switch to drive the rope through and out the exit outlet.



7. Once the rope has been fed through the Ronin Lift Personal Ascender, fully release the tensioner by rotating it counterclockwise until it stops.

Warning: Do not over rotate in the counterclockwise direction. This can dislodge the retention mechanism causing system malfunction. If this does occur the unit will need to be returned to an approved repair facility for repair.

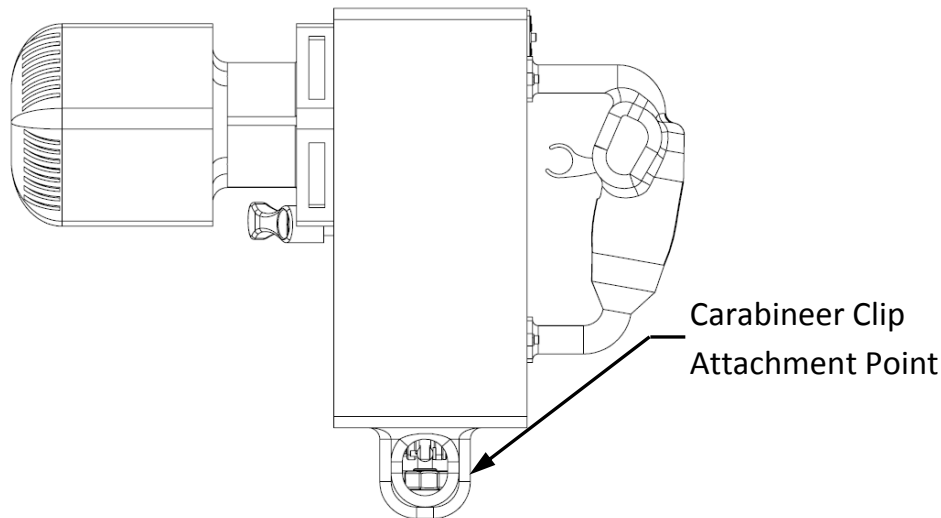


Operating Ronin Lift

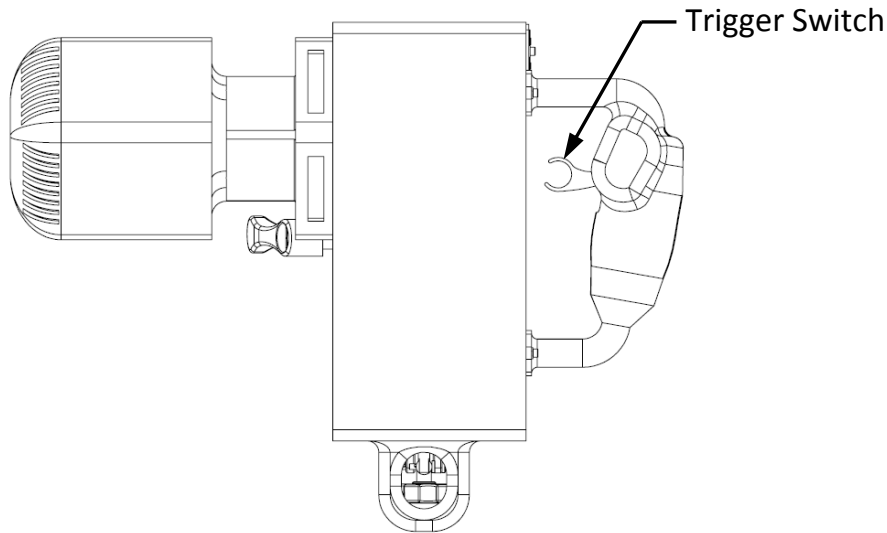
Caution: Ensure you have all safety equipment on and have properly secured the rope prior to using Ronin Lift. Misuse or improperly secured equipment and rope could result in serious injury or death. We recommend the use of a secondary safety line at all times when operating the Ronin Lift Personal Ascender.

1. Using a load-bearing climbing carabineer clip, connect the Ronin Lift Personal Ascender to your harness via carabineer clip.

Caution: Do not use a key chain clip or any clip not rated for holding persons or load. This could result in serious injury or death.



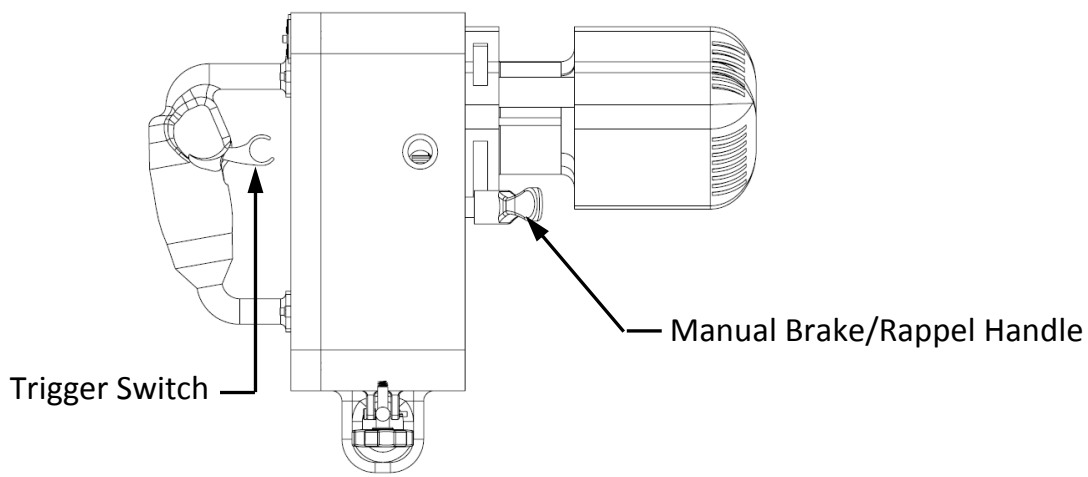
2. Once clipped into Ronin Lift, pull the trigger switch to take out any slack in the line.



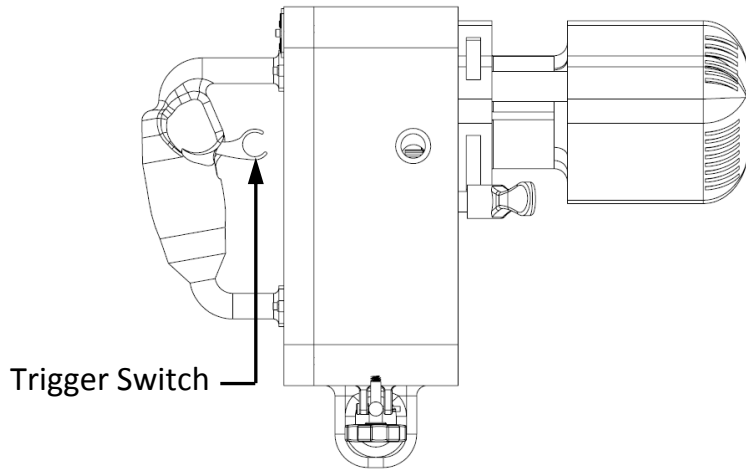
3. Grip handle with your LEFT hand and manual brake/rappel handle with your RIGHT hand. (Only place finger on trigger when ready to ascend)

Caution: Do not engage brake upwards while ascending under any circumstance. This will cause a motor overload and stall. This can also cause potential damage to the Ronin Lift's motor.

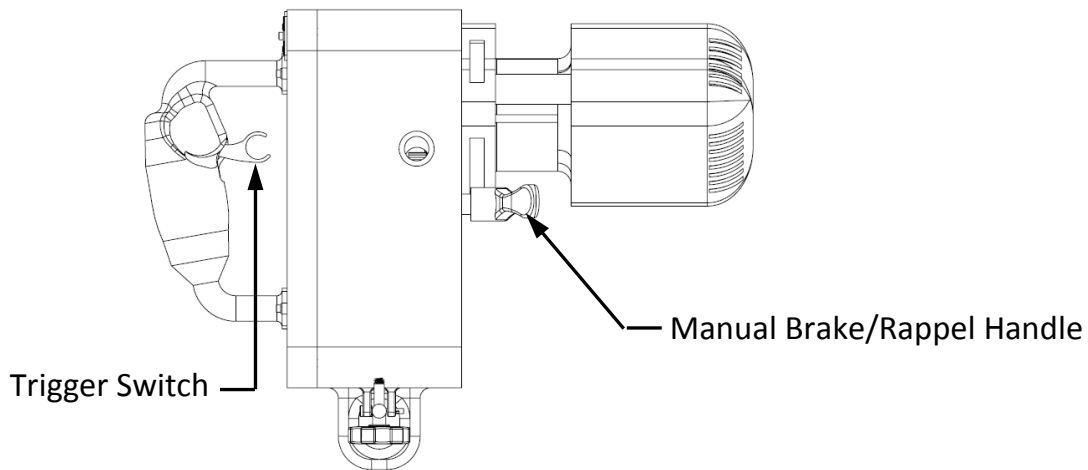
Warning: Prior to ascent, double check all equipment for integrity. This includes rope, Ronin Lift Personal Ascender, Harness, Safety line, Helmet, carabineer clip(s) etc.



4. Once ready for ascent, pull trigger finger to achieve desired ascent rate. The trigger switch is a variable speed trigger capable of providing ascent speeds of 1 ft./sec to 2.9 ft./sec.



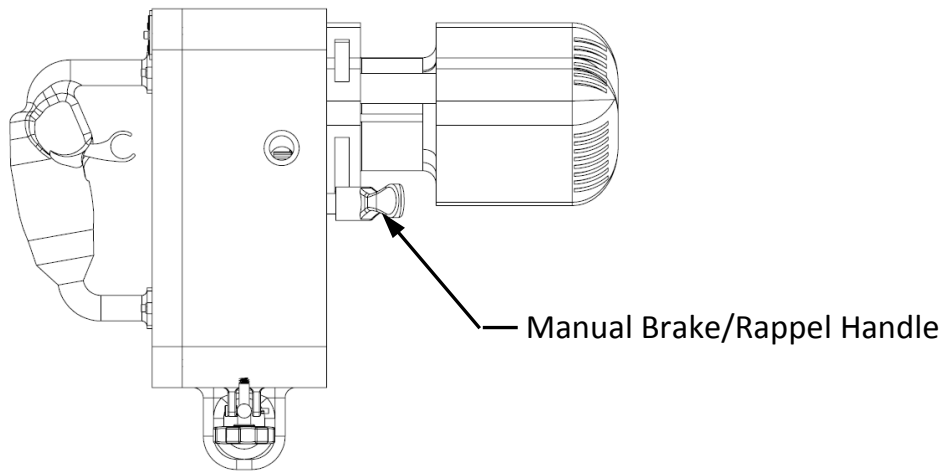
5. When ready to stop ascending, release the trigger switch with your LEFT hand and engage the manual brake/rappel handle with your RIGHT hand by pushing it upwards.



6. After engagement of the brake and completely stopped (by pushing the manual brake/rappel handle upwards), engage the lockout feature to begin hands free operation. NOTE: Do not engage hands free operation until device is fully locked out.
7. When ready to rappel, grip handle with LEFT hand for stability and use your RIGHT hand to pull downward on the manual brake/rappel handle. You can control your descent speed by pushing upwards/pulling down on the manual



brake/rappel handle. Pull the manual brake/rappel handle down to speed up descent, and push manual brake/rappel handle up to slow descent/stop/lock.



8. Once you are safely on the ground and sufficient slack has been taken out of the rope, you may unclip from Ronin Lift.

End of Life Product Recycling

Ronin Lift is made of many materials that may be recycled. The battery is lithium ion, materials are aluminum, and speed controller contains solder and electrical components. Ronin products can be recycled for free in the United States and Canada by dropping the product off at any number of nationwide locations.

Warranty Information

We're disappointed if you're not completely satisfied with your Ronin purchase. We take great pride in our products and service! If you are experiencing a problem with a Ronin purchase, please take a minute to read the information below to determine if your issue is covered under the Ronin warranty.

30 DAY MONEY BACK GUARANTEE: (Ronin Webstore Purchases)

We want you to be totally psyched about the products you purchase from the [Ronin online store](#). If at any time, within 30 days of receiving your order, you are not 100% satisfied, you may return it to us for a refund. No questions asked. Any items damaged due to reasons not covered under warranty cannot be accepted back for refund under our 30 Day Money Back Guarantee. Also, associated shipping fees are not refundable.



*NOTE: this guarantee **only** applies to orders placed through the Ronin webstore at www.changeyourelevation.com*

Ronin Warranty

Ronin products and accessories are guaranteed against manufacturer's defects 90 days from the original date of purchase. Ronin's sole obligation in the event of such defects during this period is to repair or replace the defective part or product with a comparable part or product at Ronin's sole discretion. Except for such repair or replacement, the sale, processing or other handling of this product is without warranty, condition or other liability even though the defect or loss is caused by negligence or other fault. Damage resulting from use, accident, or normal wear and tear is not covered by this or any warranty. Ronin assumes no liability for any accident, injury, death, loss, or other claim related to or resulting from the use of this product. In no event shall Ronin be liable for incidental or consequential damages relating to or resulting from the use of this product or any of its parts. This product is not warranted against user repairs and user repairs will result in a voided warranty. Because of possible user reassembly error, potential water damage may occur and will void the device's warranty. Returns or replacements of parts and/or products may be subject to shipping, handling, replacement and/or restocking fees.

Ronin Web Store Returns

If you bought your product directly from www.changeyourelevation.com, and you are not satisfied with your purchase within 30 days of receipt, you can return it following the below procedure. Your card will be credited, less shipping fees, upon receipt of the returned merchandise.

1. Request an RMA (Return Merchandise Authorization) number from Ronin Customer Support by clicking on the Contact Us link at the bottom left of the main [Support Page](#).
2. Package products along with a copy of the RMA form.
3. Write the RMA number on the outside of the box and send to the appropriate address based on your specific location: (items must be received by Ronin within 14 days of issuing the RMA):

Note: Please do not hand deliver your product to the Ronin facility, even if you are local. This facility is not set up to receive visitors. Thanks!