

PULLEY EXTRA

RK801EE00
RK801BB00(black)

Large single pulley for textile ropes.

CE 1019
EN 12 278:2007



orange / silver

black matt



Reading and understanding instruction for use are required to use this product!
Bez důkladného prošetření a pochopení návodu k použití nepoužívejte tento výrobek

WEIGHT: 257 g (9.1 oz)
ROPE: textile max. \varnothing 13 mm
COLOR: orange / silver (RK801EE00)
black matt (RK801BB00)

MATERIAL:
Sheave: aluminum alloy
Side plates: aluminum alloy
Sealed ball bearing: steel
Axle: stainless steel

For better traceability and inspection this part is marked with unique production number.

XXXX - MMY

Serial no. ↑ month ↑ year of production

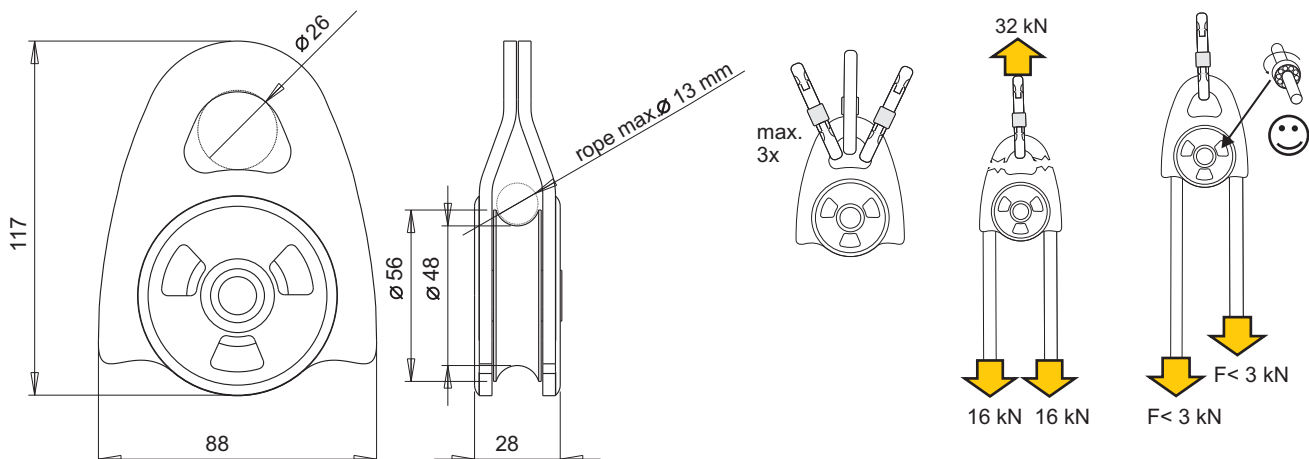


2 years guarantee
2 roky záruka

For those who need great hauling efficiency, durability and lightweight pulley. Suitable also for a Prusik friction knot or any clamp.

- durable and lightweight high-efficiency single pulley for industrial use and hauling systems
- sealed ball bearing and large diameter of the sheave provides great efficiency 94%
- designed and optimized for use with a Prusik friction knot or any clamps
- top attachment point accepts up to three carabiners
- formed side plates provides protection of rope against contact with a surrounding
- fixed-by-forging sheave and anti dust cover of ball bearing provides great lifespan
- side plate holes enable cleaning of the ball-bearing surrounding
- unique production number marking
- available also in black color (RK801BB00)

Technical data



singing rock

SAFETY FIRST